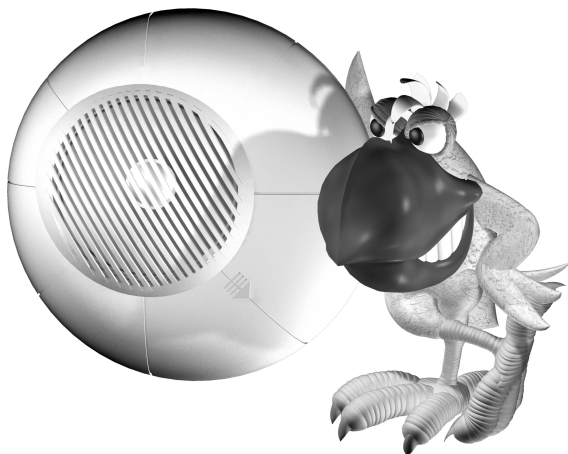


# KAKADU



## ***INSTALLATION MANUAL WARRANTY***

[www.kakadu.sealcom.pl](http://www.kakadu.sealcom.pl)



## ***DESCRIPTION***

The "KAKADU" bell has been designed for the purpose of meeting the expectations of even the most demanding Users. The applied technical solutions ensure a high functionality of the bell and a wide range of possibilities.

### ***selection of signals***

The bell sound is not limited to one preset signal but it can be selected from the whole set of the signals, which allows each User for matching it to the User's own tastes and likings. In the standard set, a wide selection of signals has been prepared: from classical gongs and bells, through melodies, sirens, klaxons, etc. to realistic sounds of animals. Apart from the selection of a signal from the "factory" set, a possibility of the individual change of the reproduced signals has been ensured, which allows a User for unconstrained employment of the User's own invention and fantasy. After adequate reprogramming of the bell, simultaneous definition of even 128 signals is possible.

### ***operation modes***

For each programmed set of signals, three modes of bell operation are possible:

- mode 1 - at each switching the bell on, the same signal is reproduced (selected earlier by a user);
- mode 2 - at each switching on, a different signal, selected successively from the programmed list, is reproduced;
- mode 3 - at each switching on, a different signal, selected at random from the programmed list, is reproduced.

### ***sound quality***

Thanks to application of the loudspeaker with a big diameter and digital recording, a high quality of the reproduced sound has been ensured.

### ***casing***

A modern shape of the casing fits excellently to the outfit of the interior, both when it is installed on a wall and on a ceiling. For the User's convenience, an easy installation has been ensured. In order to avoid a mechanical damage of the casing while opening (due to necessity of levering with sharp tools), a popular snap-lock was abandoned in favour of a single screw connecting both parts of the casing.

### ***anti-lock protection***

The bell is protected against the "jokers", who block the bell switch-keys in a position "pushed in" for purpose of producing a continuous reproduction of the signal. In the case of such treating the KAKADU bell, the signal will be reproduced only once, and it can be started again only after release and re-pressing the switch-key.

### ***cooperation with two types of door bell wiring***

The bell has been adapted to cooperate with different bell wirings - switched on both through short-circuit (Fig. 3a) and also through supplying the voltage of 6-24VAC (Fig. 3b). If it is possible to select a type of wiring (for instance, in new or renovated flats), then we suggest using the installation switch on through short circuit it does not require to be connected to a bell and a voltage switch, which makes the bell work independent of the power grid and eliminates any possible electric shock (even in such extreme case as, for instance, breaking of the casing or pulling out the switch-key from the wall).

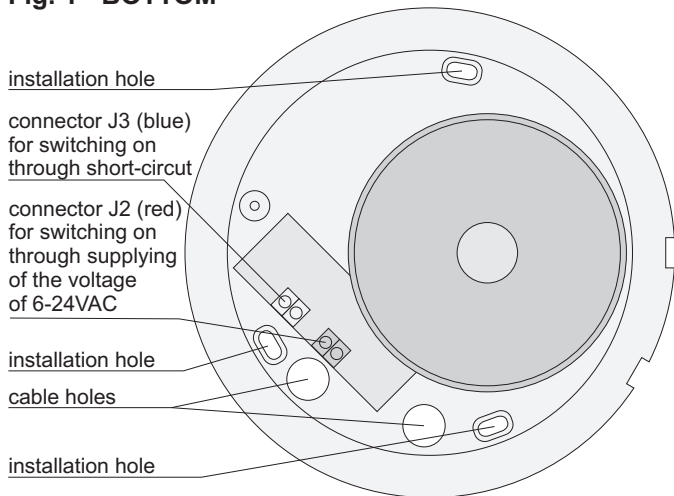
## **INSTALLATION**

The bell is installed on the wall or a ceiling in the place, to which the wire from the bell switch-key is delivered. In order to make a correct installation, the following steps should be made successively:

1. Take the bell out of the package, remove a small flap and unscrew the bolt connecting both parts of the bell (a bottom and a cover).
2. Apply the bottom to the surface, on which the bell is to be installed, in the way ensuring that the wire of the switch-key gets into one of the cable holes and mark with a pencil 3 longitudinal installation holes (see Fig. 1).
3. Put the bottom aside and bore the holes with a diameter of 6 mm in the marked places, and then mount the plastic anchors, which are in the kit.
4. Screw down the bottom to the mounted anchors (through the longitudinal installation holes) by threading the wire from the switch through one cable holes.

**CAUTION !!!** *In the case of installing the bell on the uneven surface, the bolts should be screw down to the extent ensuring that the bottom will not distort (this would make closure of the cover impossible).*

**Fig. 1 - BOTTOM**



5. Connect the wire of the door bell push-button:

a) in the case of the wiring switched on through short-circuit (Fig. 3a) the cores of the wire should be connected to the contacts of the connector J3 (blue connector) - Fig. 1

b) in the case of the wiring, which is switched on through supplying of voltage of 6-24VAC (Fig. 3b), the cores of the wire should be connected to the contacts of the connector J2 (red connector) - Fig. 1.

**CAUTION !!! In the case of assembling the bell in the 6-24VAC wiring, the connections of the wires should be performed by the authorised person, after prior disconnecting the wiring from the electric network.**

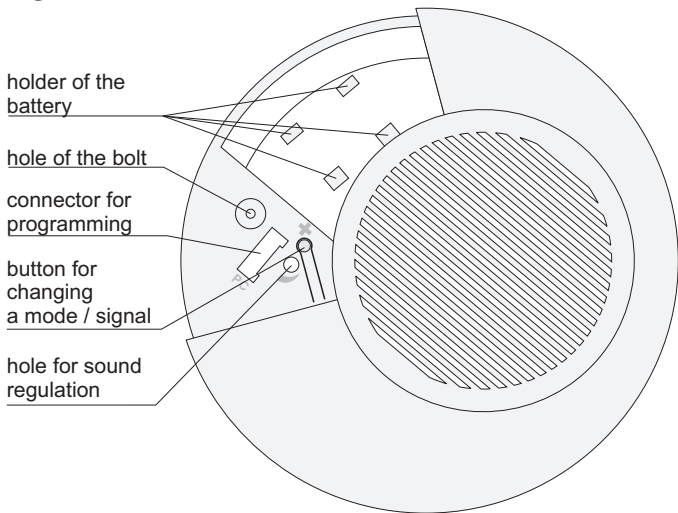
6. Close the casing and screw in the bolt connecting the bottom and the cover.

7. Connect a battery and place it in the handle (push in) - Fig. 2.

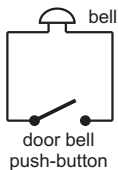
8. Set a selected signal and a required sound level.

9. Shut the small flap.

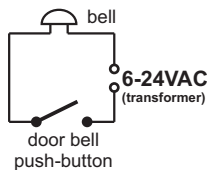
**Fig. 2 - COVER**



**Fig. 3**




*a) diagram of the wiring switched on through short-circuit*



*b) diagram of the wiring switched on through supplying of the voltage of 6-24VAC*

## **OPERATION**

### ***sound control***

The changes in the sound level are made using the screwdriver (cruciform). After the small flap has been removed, the end of the screwdriver should be inserted into the round hole marked with a symbol of sound control  - Fig. 2.

The regulation is made by turning the screwdriver:

- more loudly - clockwise
- more silently - counter clockwise

Maximum turning counter clockwise results in complete silence of the bell.

### ***change of the operation mode / selection of a signal***

The changes of the operation mode and signal selection are made using the push-button marked as "+", available after removing a small flap.

On each pressing of the button, a successive signal (out of the currently programmed signals) and two special signals are reproduced. The signal, which is heard after pressing the button, is set as a valid one. Subsequent pressing the button changes the signal to another one and so on. After the whole list of the programmed signals, there appear two "special signals":

- 5 short sounds it means setting the bell in the mode of reproducing the signals, being changed successively according to the programmed list
- 1 long sound (about 2 seconds) it means setting the bell in the mode of reproduction of the signals selected at random from the programmed list.

Subsequent pressing the button (after "special signals") starts the selection of individual signals out of the programmed list from the beginning.

### ***replacement of the battery***

The battery should be replaced when the first signs of its being used up are noticed. The fact that a battery is used up is manifested initially by the decrease in a loudness and lower quality of the reproduced signal. Then, (if the battery has not been replaced), in place of the emitted signal, there appear only three short sounds, whose loudness keeps decreasing along with progressing use of the battery till the moment of its complete decay. In order to ensure a satisfactory time of bell operation, without a necessity of replacement of the batteries, the use of the alkaline batteries is recommended.

### **programming**

Reprogramming of the bell (i.e., introducing the different signals) is made with the help of a computer (IBM PC compatible). Necessary software is available on the site [www.kakadu.sealcom.pl](http://www.kakadu.sealcom.pl) (free of charge). The computer should be connected to the bell by an appropriate connecting cable:

- in the computer to the printer port (LPT)

- in the bell to the port marked as PC (placed under a small flap Fig. 2)

A ready-made cable or the cable made individually, in accordance with the instructions available on the page [www.kakadu.sealcom.pl](http://www.kakadu.sealcom.pl), can be used.

### **TECHNICAL DATA**

power supply

- battery 6F22 9V (is it recommended to use alkaline batteries)

power input when not switched on

- 0 mA

power input when reproducing switching on

- maximum 350 mA

- through short-circuit or the supplying of the voltage 6-24VAC

weight (without battery)

- 270 g

dimensions (diameter/height)

- 167mm / 54 mm

### **THE REMARKS CONCERNING INSTALLATION OF THE BELL**

**1.If the bell is installed in the wiring of 6-24VAC, the lighted door bell push-buttons cannot be used.**

This is caused by the fact that the current always flows through the lighted buttons. This, in turn, is the reason that the anti-lock protection is activated. A simple solution of this problem is disconnection of the lighting (LED or neon) in the push-button.

**2.Irrespective of the type of the wiring, to which the bell is connected, the connection of the battery 9V is always required.**

**3.The connection of any voltage to the blue connector (J3) results in irreversible damage of the bell.**



**SEALCOM s.c.**  
**ul. Pomorska 26A**  
**83-200 Starogard Gd., Poland**  
**sealcom@sealcom.pl**

## **WARRANTY**

### **warranty period**

SEALCOM warrants this product against any defect in material and workmanship for 12 (twelve) months from the date of purchase by the original retail purchaser.

### **what is covered and what is not covered**

Except as specified below, this warranty covers any defects in materials and workmanship of this product. The following are not covered by the warranty:

1. Damage or deterioration of the casing.
2. Any unit that has been altered or on which the serial number has been defaced, modified, or removed.
3. Damage, deterioration or malfunction resulting from:
  - a) accident, misuse, abuse or neglect;
  - b) failure to follow instructions supplied with the product;
  - c) repair or attempted repair by anyone not authorized by SEALCOM to repair this product;
  - d) causes other than product defects, including lack of technical skill, competence or experience of the user. Especially damages which may arise of incidental use respectively by improper ventilation.

### **who may enforce the warranty**

This warranty may be enforced only by the original retail purchaser. This warranty will be granted only when the original invoice or sales receipt (indicating the date of purchase, product type and dealer's name) is presented together with defective product.

### **how you can get warranty service**

1. If your unit needs service during the warranty period, please contact the local authorized distributor for this product.
2. Please ensure to fill out the warranty certificate correctly. SEALCOM reserves the right to refuse the guarantee service if the documents are missing or incomplete in the understanding of this terms.

These warranty terms do not affect any statutory rights of consumers which were granted by the respective national laws.

Date of purchase .....

Date of production .....

Serial number .....

Dealer's stamp and signature